

Kelln Piston Power Pump (P3)

The Kelln Piston Power Pump is capable of working from many different applications. The P3 may be used in shallow wells, dugouts, rivers, and lakes or from holding tanks. The P3 is excellent for the transfer of water over long distances for home, village, irrigation, or livestock usage.

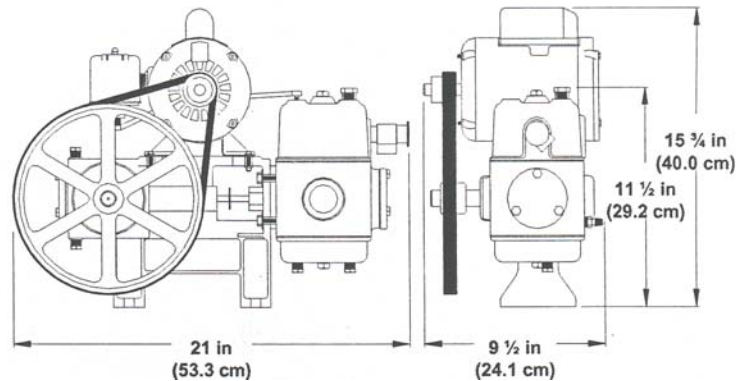


P3 Advantages

- **Low Surge Starting Current:** Excellent feature when running home pressure systems from inverters.
- **Super-Efficient:** Requires less power per volume than ANY other pump in its range.
- **Economical:** Power System Costs can be reduced from 25-75% compared to centrifugal or AC pumps.
- **Durability and Longevity:** Superior design with a 20 year life expectancy equates to low maintenance which can be performed with basic tools (every 2-5 years).
- **Increased Resistance:** To Particles in water.
- **Drive System:** Allows for engine or hand held back up.
- **Installation:** Illustrated manual makes for simple installs and maintenance for someone with no prior experience.

Specifications

- 1/3 or 1/2 H.P. motor, 115/230 Volts, capacitor starting, automatic thermal protection
- DC Motors 12, 24 VDC
- Pressure Switch 40/20 lbs.in².
- Safety Valve
- Double action piston, single cylinder
- Self lubricated
- Primes up to 25 vertical feet



All Pumps are Factory Tested

Pump Model	H.P	Capacity	Suction		Discharge		Weight	
			Inch	(mm)	Inch	(mm)	Lbs.	(kg)
P3-135DC	1/3	275 gallons /hour	1 1/4"	(31.75)	1"	(25.4)	53	(28.98)
P3-135AC		1040 litres/hour	1 1/4"	(31.75)	1"	(25.4)	70	(31.94)
P3-138DC	1/3	450 gallons/hour	1 1/4"	(31.75)	1"	(25.4)	53	(28.98)
P3-138AC		1703 litres/hour	1 1/4"	(31.75)	1"	(25.4)	70	(31.94)
P3-1210DC	1/3	600 gallons/hour	1 1/4"	(31.75)	1"	(25.4)	53	(28.98)
P3-1210AC		2271 litres.hour	1 1/4"	(31.75)	1"	(25.4)	73	(33.03)



50 James Street, Box 94 Lumsden Saskatchewan Canada Tel (306) 731-2224 Fax (306) 731-2774

Kelln P3 Piston Power Pump Sizing Chart

Lift Feet	Pressure PSI	Model P3-135DC Model P3-135AC			Model P3-1210DC Model P3-1210AC		
		GPM	LPM	Watts	GPM	LPM	Watts
20	9	4.16	19.7	120	7.44	35.2	160
40	17	4.16	19.7	140	7.44	35.2	215
60	26	4.08	19.3	160	7.36	34.9	255
80	35	4.08	19.3	190	7.36	34.9	290
100	43	4	18.9	220	7.28	34.5	325
120	52	4	18.9	245	7.28	34.5	365
140	61	4	18.9	275	7.28	34.5	410
160	70	3.92	18.6	300	Note!! Watts listed in the chart above are the power used by the pump at various lifts when powered by PV modules. Array should be 20 % larger. Battery Systems require 15 - 20 % larger arrays. GPM = Imperial Gallons		
180	78	3.92	18.6	315			
200	86	3.84	18.2	330			
220	95	3.76	17.8	340			

System Packages Situation - 20 Feet Lift, 1 Mile Transfer, Watering 100 Cow/Calf Pairs

Items Included In System

- 1 – P3-135DC Piston Pump 24 Volt c/w 20 Lin. Ft. Cable
- 2 – 64 Watt Shatterproof Panels
- 1 – Double Panel Stands
- 1 – Regulator & Low Voltage Disconnect
- 1 – Float Valve (1 ½”)
- 1 – Foot Valve (1 ½”)
- 1 – Bladder Tank 3 Gallon c/w Bypass Valves
- 1 – Pressure Switch
- 1 – Heavy Duty Battery Box
- 1 – Wire Package (Plug-in Ready)

Required But Not Included

- 1 - Pole (2 3/8” O.D.) For Panel Stand
- 2 - Trojan SCS 225 Amp/Hrs Batteries

System Cost \$ 3695.00

Pump Only Prices

Part Number	Pump Model	Capacity	Weight	Retail Cost
P/N01043	Model P3-135DC	220 Imperial Gallons/1040 litres	53 Lbs.	\$ 1265.00
P/N01045	Model P3-138DC	360 Imperial Gallons/1703 litres	70 Lbs.	\$ 1265.00
P/N01046	Model P3-135AC	220 Imperial Gallons/1040 litres	53 Lbs.	\$ 1161.00
P/N01047	Model P3-138AC	360 Imperial Gallons/1703 litres	70 Lbs.	\$ 1161.00

Complete System Pricing is available upon request